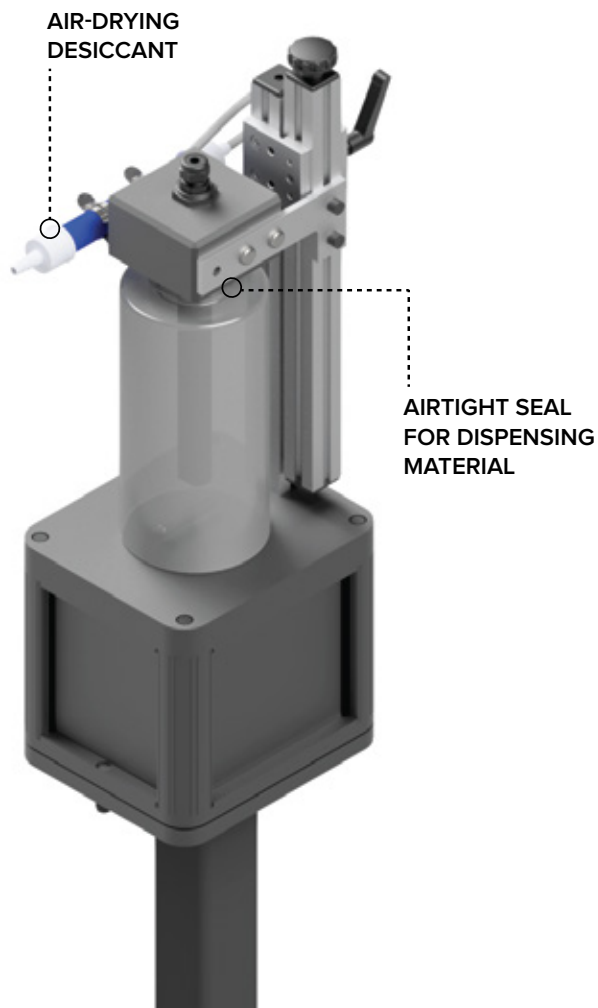


BOTTLE HOLDER

10601 SERIES

AIRTIGHT AND FLEXIBLE TO BOOST WORKFLOW

Our 10601 Series Bottle Holder is designed to ensure your fluid is free of contaminants, offering an airtight seal for standard one-liter or one-gallon manufacturer's containers. It's ideal for dispensing fluid using our e3mini or e3multi Precision Pump Panels and can be equipped with a level detection system.



FEATURES:

- Uses Manufacturer's Containers
- Creates Airtight Seal for Dispensing Material
- Air-drying Desiccant
- Easy Container Removal or Exchange
- Dispenses to Multiple Material Lines
- Corrosion-Resistant Stand

OPTIONS:

- Low Level Digital Sensor
- Load Cell Level Sensor
- Stir Plate (Pictured)

☎ 419.866.0700

✉ sales@designetics.com

🌐 designetics.com

 **DESIGNETICS**[®]
ISO 9001:2015 Certified

US and International Patents Pending

Designetics is a registered trademark

of Designetics, Inc.